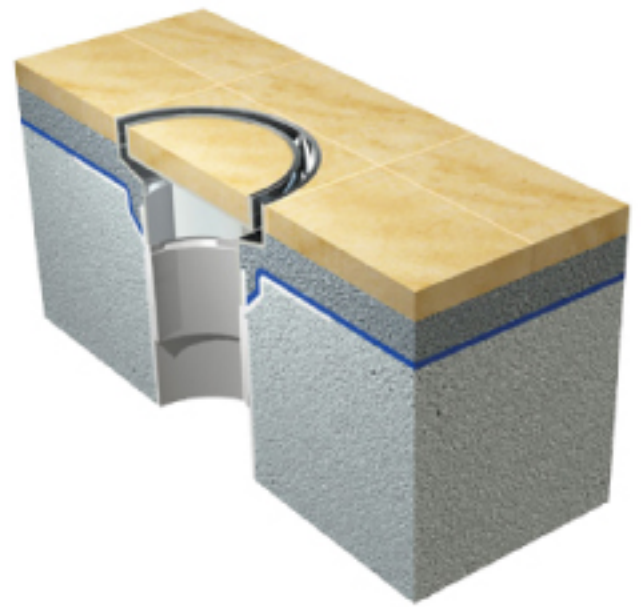
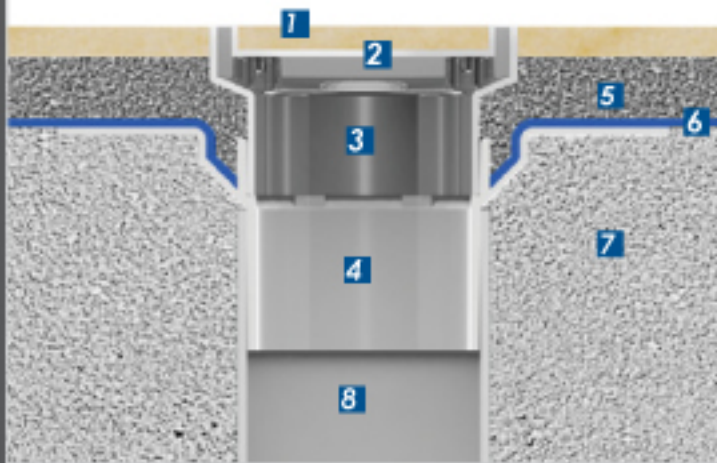


SQUARE BERMUDA LEAK CONTROL FLOOR GRATE  
CROSS SECTION VIEW



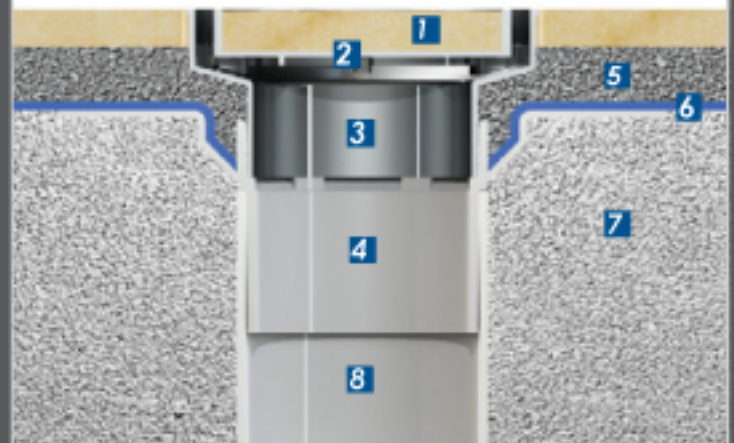
ROUND BERMUDA LEAK CONTROL FLOOR GRATE  
CROSS SECTION VIEW



- 1** tile\*
- 2** tile insert
- 3** waste body
- 4** leak control flange\*
- 5** screed (mortar bed)
- 6** membrane
- 7** concrete
- 8** pipe

80mm leak control flange shown

\*not included

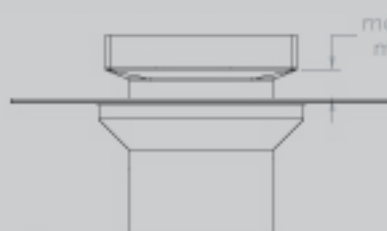
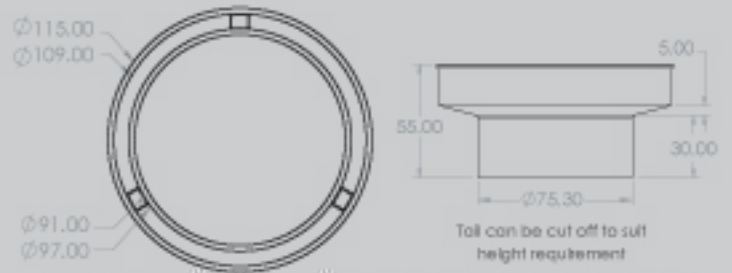
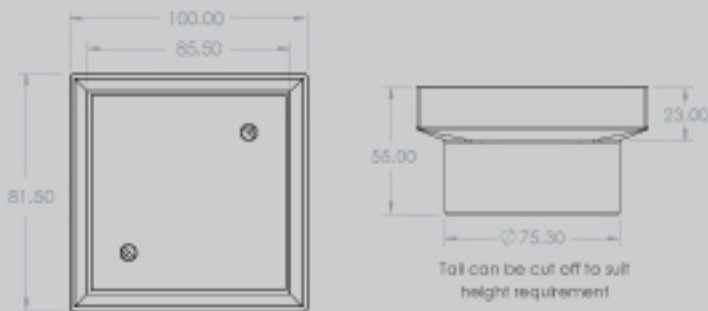


- 1** tile\*
- 2** tile insert
- 3** waste body
- 4** leak control flange\*
- 5** screed (mortar bed)
- 6** membrane
- 7** concrete
- 8** pipe

80mm leak control flange shown

\*not included

BERMUDA LEAK CONTROL FLOOR GRATE



80mm leak control flange shown



80mm leak control flange shown

ALL DIMENSIONS IN MILLIMETRES